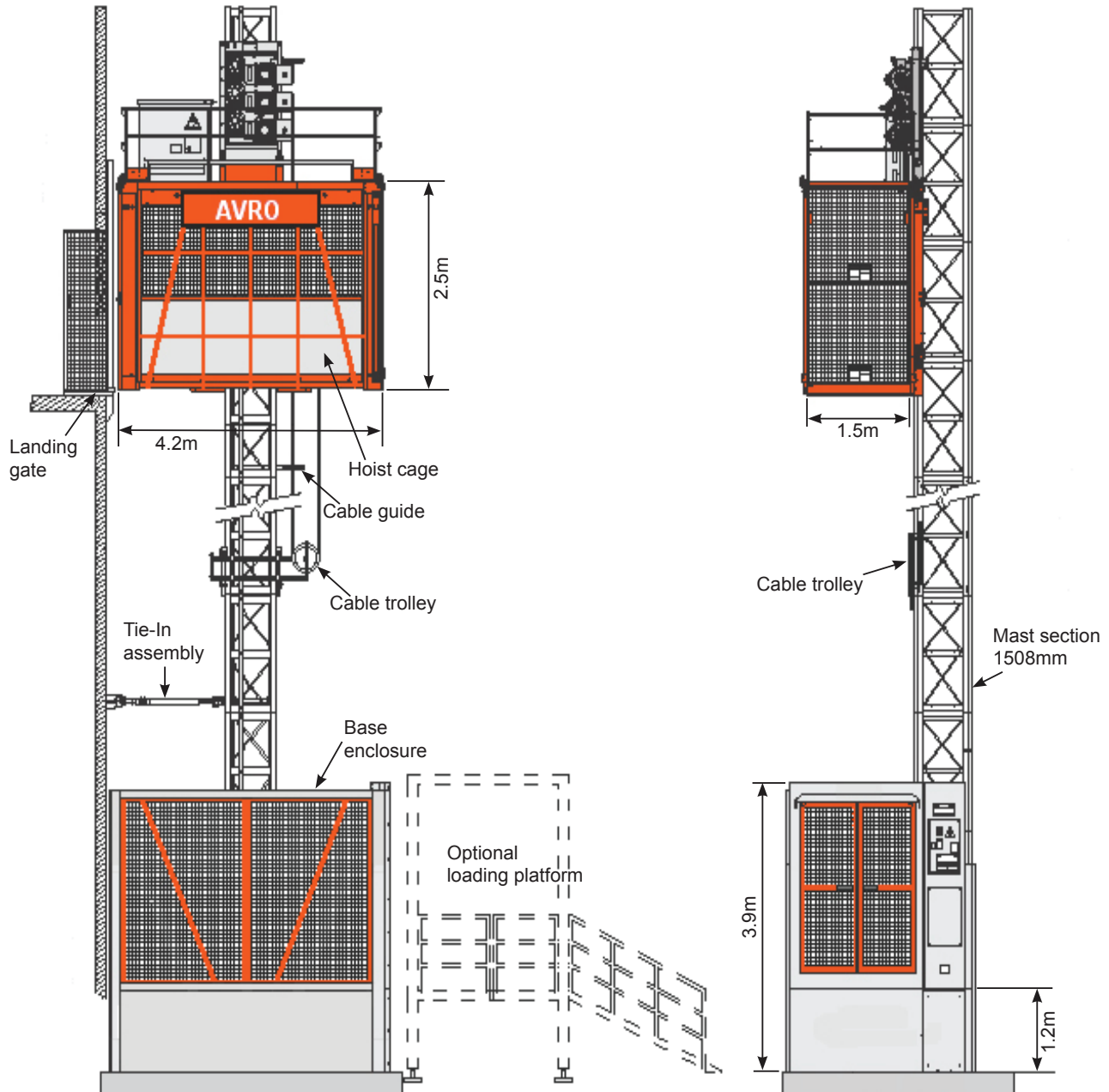


AVRO Model SC320

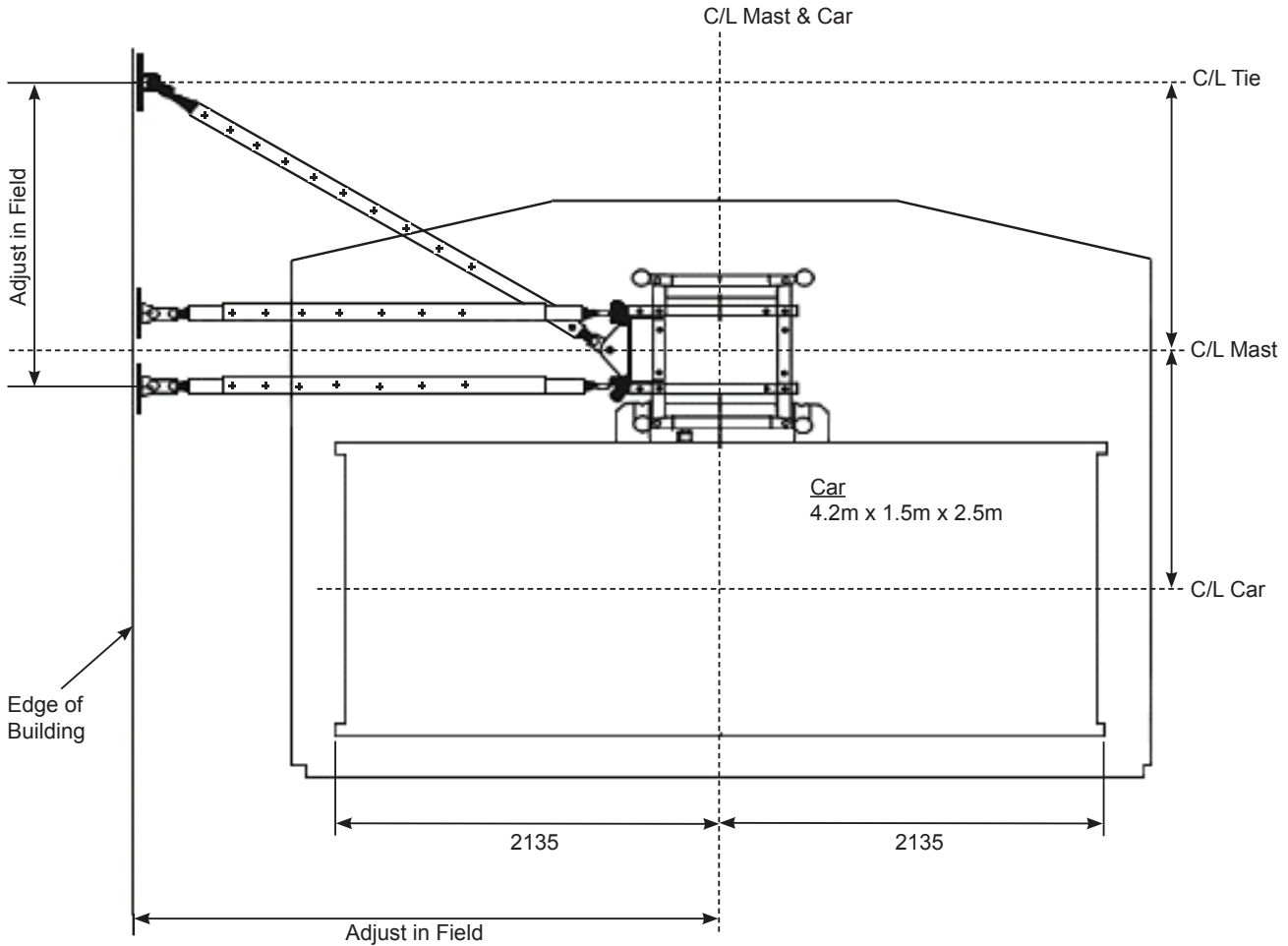
7000 lb Single Cage Man & Material Hoist



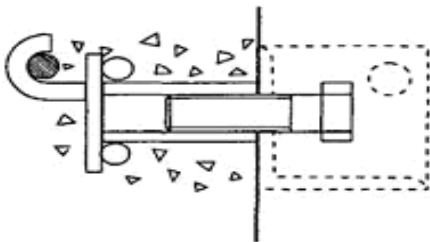
AVRO Model SC320

7000 lb Single Cage Man & Material Hoist

TIE-IN PLAN VIEW

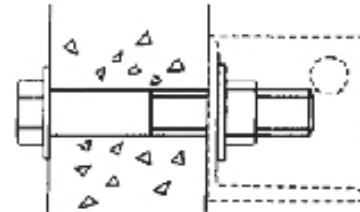


Note: All hoist cages are designed and built in conformance with CAN/CSA-Z185-M87 local safety code. All sizes and dimensions are subject to change at any time without notice and must be verified by a local certified engineer. Any changes or modifications should be consulted with AVRO Hoist Co.



Attached to embedded bracket in structural part of building

MAST TIE CONNECTIONS



Fixed with through bolts

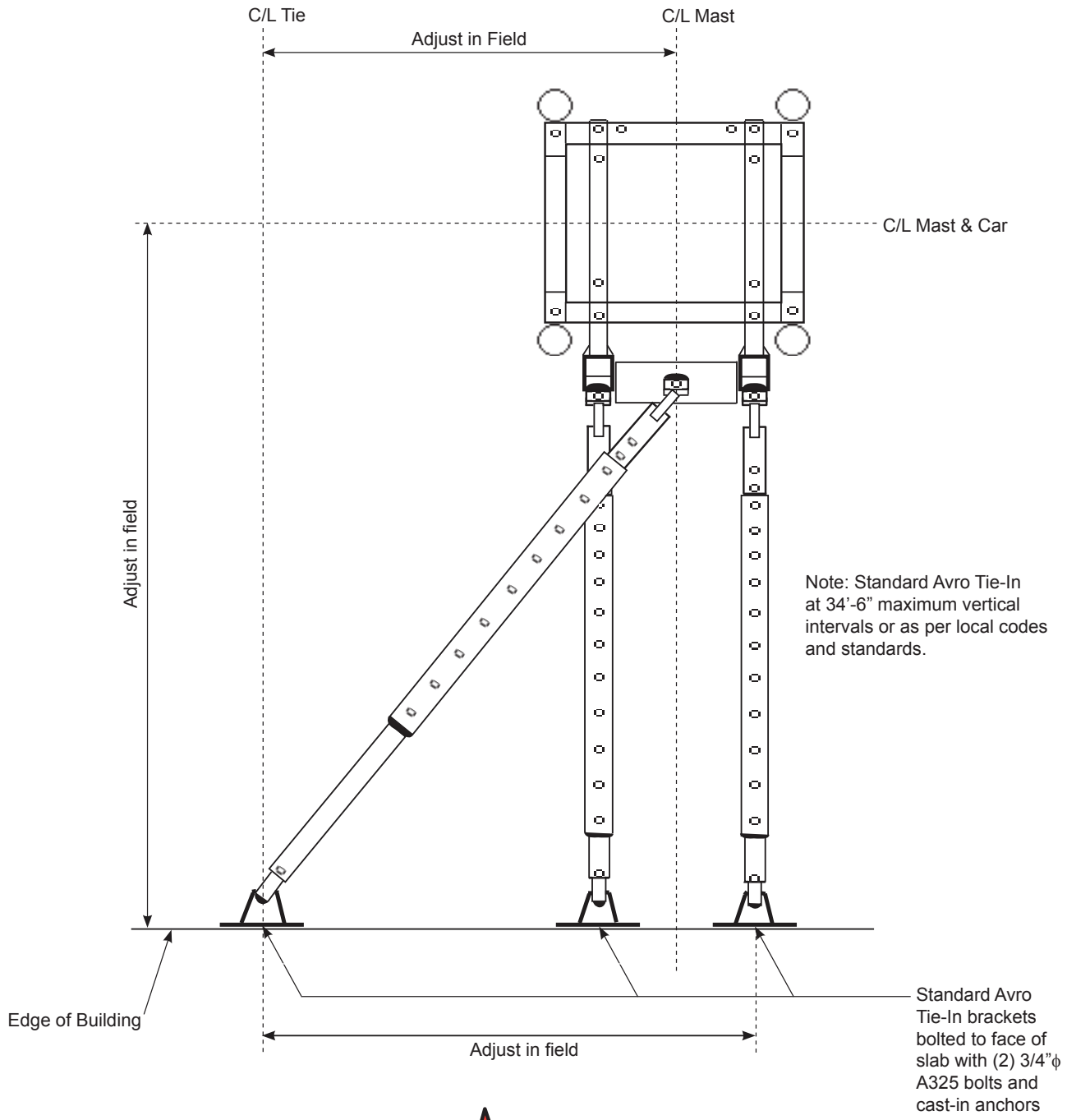


"Taking you above the rest"

AVRO Model SC320

7000 lb Single Cage Man & Material Hoist

TIE-IN DETAILS



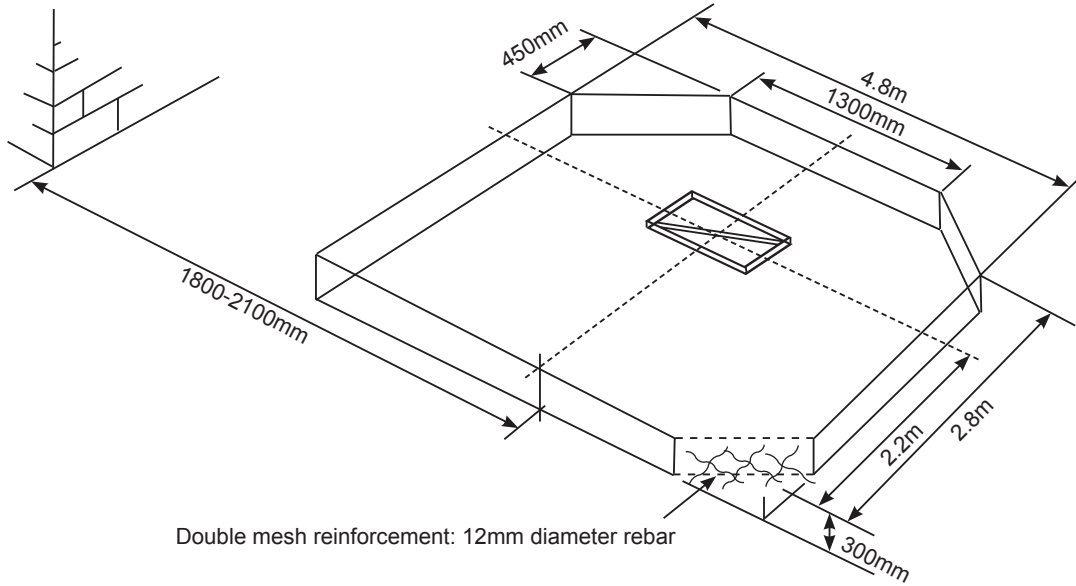
"Taking you above the rest"



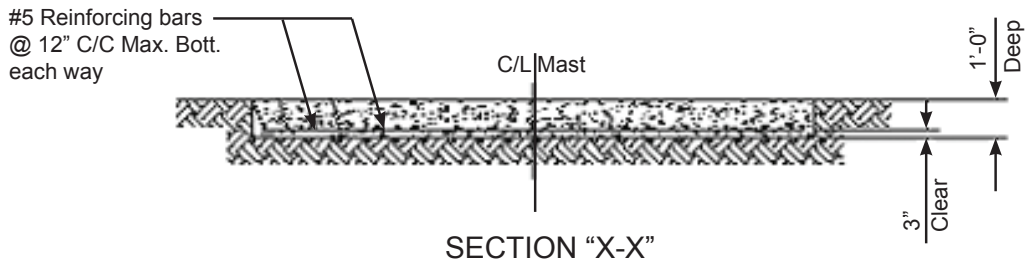
AVRO Model SC320

7000 lb Single Cage Man & Material Hoist

FOUNDATION PLAN



Verify hoist dimensions prior to the foundation design.
 May require draining provision.
 Foundation frame must be embedded into the concrete slab.



Note: Minimum soil bearing pressure required to be 3,000 PSF



"Taking you above the rest"

AVRO Model SC320

7000 lb Single Cage Man & Material Hoist

TECHNICAL DATA	SC320TD	SCD320GZ	SCD320G
Configuration	Single cage hoist	Single cage hoist	Single cage hoist
Rated load capacity	7000 lbs	7000 lbs	7000 lbs
Rated speed	150 fpm (46 m/min)	207 fpm (63 m/min)	315 fpm (96 m/min)
Counterweight	No	Yes	Yes
Maximum travel distance	1476 ft	1476 ft	1476 ft
Lifting device (Jump pole) capacity	550 lbs	550 lbs	550 lbs
Safety device	Type D	Type D	Type D
Worm gear ratio	12:1	16:1	12:1
Brake rating (per car)	145 ft-lb (210 Nm)	145 ft-lb (210 Nm)	145 ft-lb (210 Nm)
CAR DIMENSIONS			
Inside length	4.2m	4.2m	4.2m
Inside width	1.5m	1.5m	1.5m
Inside height	2.5m	2.5m	2.5m
Front/rear gate opening width	1.5m	1.5m	1.5m
Front/rear gate opening height	2m	2m	2m
Optional side gate opening width	2.9m	2.9m	2.9m
Optional side gate opening Height	2m	2m	2m
ELECTRICAL DATA			
Power supply	440-460/3/60	440-460/3/60	440-460/3/60
3-Motor drive machinery:			
Horsepower	(3)x25hp(18.5kW)	(3)x20hp(15kW)	(3)x25hp(18.5kW)
Full load current	113.4 Amp	92.6 Amp	113.4 Amp
Starting current	Varies	Varies	Varies
Variable frequency drive	100hp (75kW)	100hp (75kW)	100hp (75kW)
Brake pwer supply	195 V.d.c.	195 V.d.c.	195 V.d.c.
WEIGHTS			
Gross weight (per car)	5700 lbs	5700 lbs	5700 lbs
Weight per mast section (4mm-8mm)	275-550 lbs	275-550 lbs	275-550 lbs
Weight of travelling cable system	4 lbs/ft	4 lbs/ft	4 lbs/ft
Weight of Tie-In	10% of total mast weight	10% of total mast weight	10% of total mast weight
Weight of ground enclosure	3260 lbs	3260 lbs	3260 lbs
Weight of Counterweight	N/A	2 x 4400 lbs	2 x 4850 lbs



"Taking you above the rest"